

1

2

3

4

5

6

RevNo

Revision note

Date

Signature

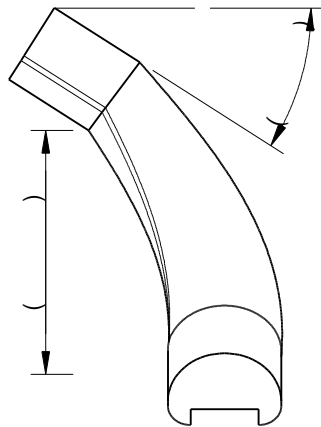
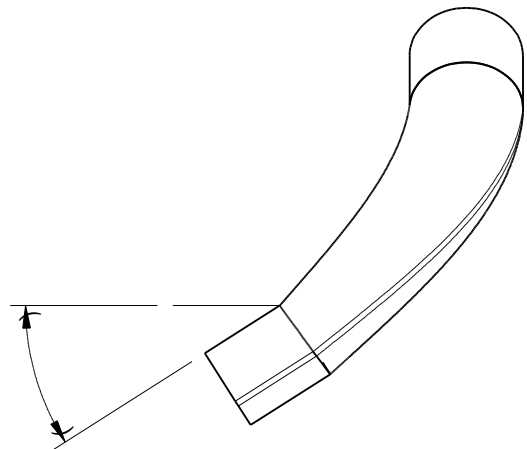
Checked

A

A

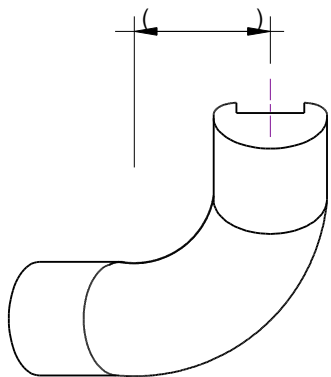
B

B



C

C



D

D

Itemref	Quantity	Title/Name, designation, material, dimension etc			Article No./Reference	
Drawn by		Checked by	Approved by - date	File name	Date	Scale 1:1

				Edition	Sheet 1 von 1
--	--	--	--	---------	------------------

1

2

3

4

5

6

1

2

3

4

5

6

RevNo

Revision note

Date

Signature

Checked

A

A

B

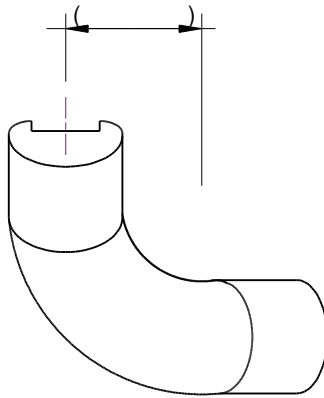
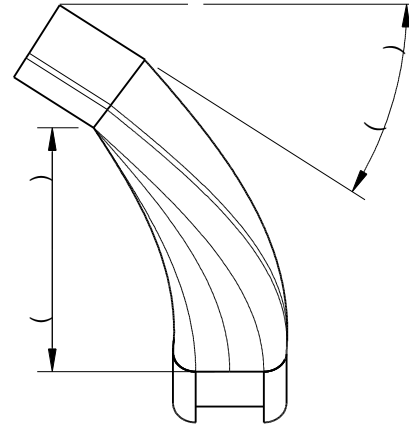
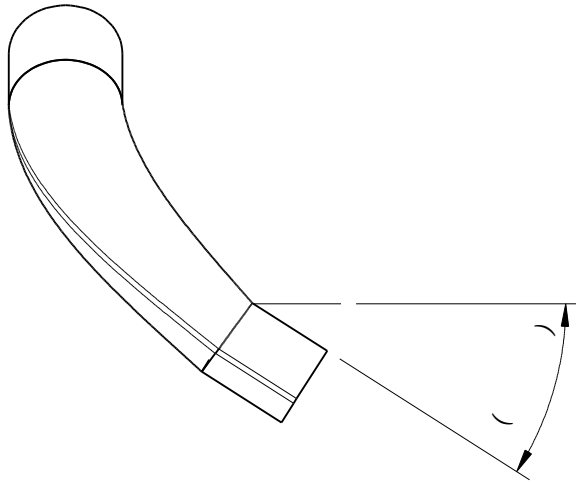
B

C

C

D

D



Itemref	Quantity	Title/Name, designation, material, dimension etc			Article No./Reference	
Drawn by		Checked by	Approved by - date	File name	Date	Scale 1:1
				Edition		
				Sheet 1 von 1		

1

2

3

4

5

6